

EESPF70Q

EESLED Open Small Round Post Top

L70
25°C

473,000 Hours



ENVIROLUX[®]
ENERGY SYSTEMS

The EnviroLux ESSPF70Q Architectural Open Small Round Post Top is available in a Type V distribution with two lens options designed to replace HID lighting systems up to 250w MH or HPS. The fixture mounts to a pole top tenon. Typical area lighting applications include parking areas, walkways, and street lighting applications. Mounting heights of 12 to 20 feet can be used based on light level and uniformity requirements.

Specifications and Features:

Housing:

Die Cast Aluminum Housing, Integral Heat Sinking. Photocell Adaptable.

Listing & Ratings:

CSA: Listed for Wet Locations, ANSI/UL 1598, 8750
IP66 Sealed LED Compartment.

Finish:

Black Powdercoat Finish Over a Chromate Conversion Coating. Custom Colors Available Upon Request.

Lens:

Clear or LumaLens Opal Array Lens to Seal LED Array.

Mounting Options:

Accommodates "P3" 2 1/8" O.D. x 4" Tenons

LED:

Aluminum Boards

Wattage:

42w: Array: 42w, System Input: 43.2w
(70-150w HID Equivalent)
84w: Array: 84w, System Input: 86.3w
(150-250w HID Equivalent)

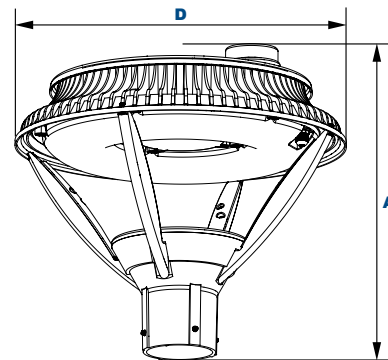
Driver:

Electronic Driver, 120-277V, 50/60Hz or 347-480V, 50/60Hz; Less Than 20% THD and PF>0.90. Standard Internal Surge Protection 6kV. 0-10V Dimming Standard for a Dimming Range of 100% to 10%; Dimming Source Current is 150 Microamps.

Warranty:

5-Year Warranty for -40°C to +50°C Environment.

See Page 2 for Projected Lumen Maintenance Table.



Dimensions

Diameter (D)	16 1/2" (411mm)
Height (A)	14 1/2" (378mm)



Order Information Example:

EESPF70QF1X84U5KCBSP

EESPF70Q F

Model	Optics	Wattage	Driver	CCT	Lens	Color	Options
EESPF70Q= EasyLED Reveal Open Small Round Post Top	F=Type V	1X42=42w 1X84=84w	U=120-277V H=347-480V	3K=3000K 4K=4000K 5K=5000K	C=Clear Array Lens L=LumaLens Opal Array Lens	B=Black C=Custom (Consult Factory)	SF=Single Fuse DF=Double Fuse SP=Surge Protection S2=Microwave Sensor for Mounting Heights of 12' and Above R3=3-Pin Twist Lock Photocell Receptacle R7=7-Pin ANSI C136.41—2013 Twist Lock Photocell Receptacle

Project Information:

Project Name:	Fixture Type:
Complete Catalog #:	Date:
Comments:	

EESLED Open Small Round Post Top

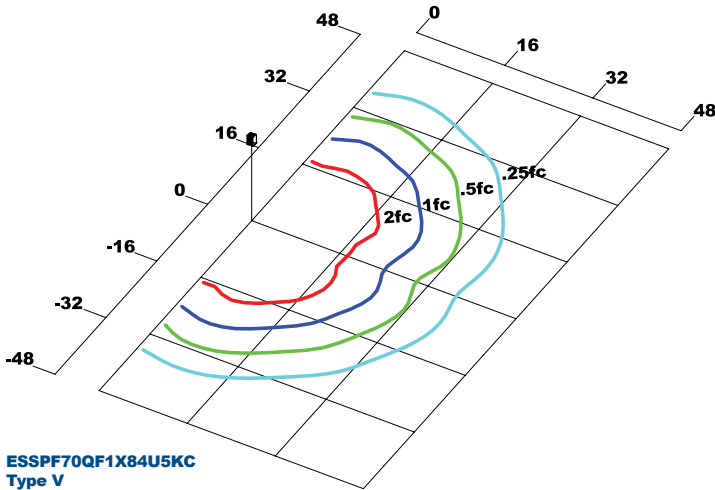
Accessories & Replacement Parts:



Accessories (Order separately, Field installed)	
P18140	110-120VAC Instant Twist Lock Photocell
P18142	105-287VAC Instant Twist Lock Photocell
P18150	120VAC Time Delay Twist Lock Photocell
P18152	277VAC Time Delay Twist Lock Photocell
P18131	Twist Lock Non-Shorting (Open) Cap Disconnects Service to Fixture for Temporary or Permanent Disabling (Fixture Always Off). IP65, 480V Maximum.
P18132	Twist Lock Shorting Cap Provides Fixed Service to Fixture (Fixture Always on). IP65, Rated Load 7200w Tungsten.

Sensors Not available for 480V.

Photometric Data



EESPF70QF1X84U5KC
Type V
Grid in MH
MH=16 Feet

EPA (Effective Projected Area)

EPA (Sq. Ft.)	Weight (Lbs.)
0.48	14 Lbs

Photometric Performance

LED Board Watts	Drive Current (mA)	Input Watts	Optics	5000 CCT 80 CRI					4000 CCT 80 CRI				
				Lumens	LPW	B	U	G	Lumens	LPW	B	U	G
LED 84w	525	86	Type V Clear	8,398	97	3	2	1	8,192	95	3	2	1
			Type V Opal	7,180	83	2	2	1	7,004	81	2	2	1

Projected Lumen Maintenance

Data shown for 5000 CCT			Compare to MH			
TM-21-11	Input Watts	Initial	25,000 Hrs	50,000 Hrs	100,000 Hrs	Calculated L70@ 25°C
L70 Lumen Maintenance @ 25°C / 77°F	86	1.00	0.98	0.97	0.94	473,000
TM-21-11	Input Watts	Initial	25,000 Hrs	50,000 Hrs	100,000 Hrs	Calculated L70@ 50°C
L70 Lumen Maintenance @ 50°C / 122°F	86	1.00	0.97	0.95	0.90	290,000
TM-21-11	Input Watts	Initial	25,000 Hrs	50,000 Hrs	100,000 Hrs	Calculated L80@ 40°C
L80 Lumen Maintenance @ 40°C / 104°F	86	1.00	0.98	0.95	0.91	220,000

NOTES:

1. Projected per IESNA TM-21-11. Data references the extrapolated performance projections for the 525mA base model in a 25°C ambient, based on 10,000 hours of LED testing per IESNA LM-80-08.
2. Compare to MH box indicates suggested Light Loss Factor (LLF) to be used when comparing to Metal Halide (MH) systems.